

**150CL. CAST STEEL
HAND WHEEL OPRTD. GATE VALVE**

TECHNICAL DATA:-

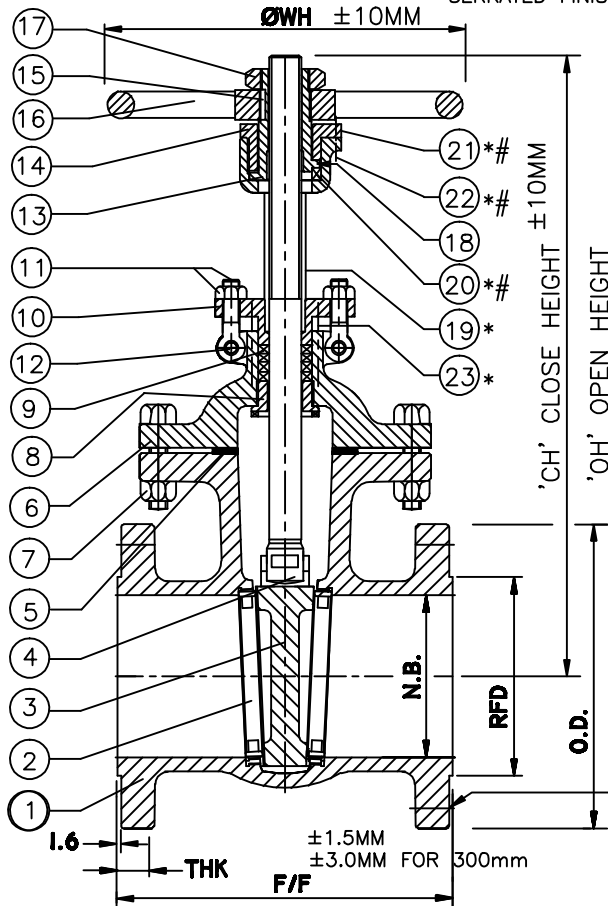
CONSTRUCTION: 'OS'&'Y' TYPE, RISING SPINDLE, NON RISING H/WHEEL, BOLTED BONNET, SOLID/FLEXI WEDGE, RENEWABLE SEAT RING & BACK SEATING ARRANGEMENT.

DESIGN & MAFRG. STD.:- AS PER API-600

INSPECTION & TESTING:- AS PER API-598

FACE TO FACE:- AS PER ANSI B16.10

END CONNECTION:- FLANGED AS PER ANSI B16.5 RF SERRATED FINISH



BILL OF MATERIAL			
SR. NO	DESCRIPTION	MATERIAL	QTY.
1	BODY	ASTM A216 GR.WCB	1
2	SEAT RING	A 276 GR. 410	2
3	FLEXI WEDGE	A216WCB+13% CR. HF.	1
4	SPINDLE	A 276- GR. 410	1
5	BODY GASKET	SPW-SS 304+CAF	1
6	BONNET	ASTM A216 GR.WCB	1
7	BODY BOLTS/NUTS	STEEL/B7/2H	-
8	BACKSEATBUSH	A 276- GR. 410	1
9	GLAND PACKINGS	BRAIDED ASBESTOS	7
10	GLAND FLANGE	A 105	1
11	EYE BOLTS/NUTS	STEEL	2/2
12	CROSS BOLTS/NUTS	STEEL	2/2
13	SPINDLE NUT	EN-1A/D2/ Cu Alloy	1
14	YOKE BUSH	STEEL	1
15	KEY	STEEL	1
16	HAND WHEEL	DUCTILE IRON	1
17	HANDWHEEL NUT	STEEL	1
18	GREASE NIPPLE	SS 304	1
19	YOKE	ASTM A216 GR.WCB	1
20	THRUST BALL BEARING	STEEL (FOR 12")	1
*21	YOKE COVER	STEEL	1
*22	COVER BOLTS	STEEL	6+8
*23	YOKE BOLTS/NUTS	STEEL	4/4

SEAT AIR - 7 KG/SQ CM

HYDRO TEST PRESSURE	
SHELL	32Kg/cm2g
SEAT & BACK SEAT	22Kg/cm2g

SIZE	N.B.	F/F	CH	OH	ØWH	O.D.	THK	RFD	PCD	HOLE DIA	NO OF HOLE	QTY. NOS
50	51	178	295	379	180	150	15.9	92.1	120.7	19.0	4	
65	63	190	336	406	200	180	17.5	104.8	139.7	19.0	4	
80	76	203	421	505	250	190	19.1	127.0	152.4	19.0	4	
100 *	102	229	495	604	250	230	23.9	157.2	190.5	19.0	8	
125 *	127	254	560	685	300	255	23.9	185.7	215.9	22.2	8	
150 *	152	267	660	823	300	280	25.5	215.9	241.3	22.2	8	
200*	203	292	804	1016	350	345	28.6	269.9	298.5	22.2	8	
250*#	254	330	990	1253	400	405	30.2	323.8	362.0	25.4	12	
300*#	305	356	1167	1483	400	485	31.8	381.0	431.8	25.4	12	

DATA SHEET NO:-	DATE:-	DRN	MAZHAR	28/8/12
CUSTOMER :-		CHD	ARNAV	28/8/12
		APPD		
OCEAN VALVES MFG. CO.		DRAWING NO		
		OV/GTV/150/2-12 CS		
PLOT NO. 3717, GIDC, PHASE-IV, GIDC, VATVA, AHMEDABAD, GUJARAT		REV- 00 SHEET - 1 OF 1		