

**150CL. CAST STEEL
HAND WHEEL OPRTD. GLOBE VALVE**

BILL OF MATERIAL

TECHNICAL DATA:-

CONSTRUCTION: 'OS' & 'Y' TYPE, RISING SPINDLE, AND H/WHEEL, BOLTED BONNET, PLUG DISC, RENEWABLE SEATING & BACK SEATING ARRANGEMENT.

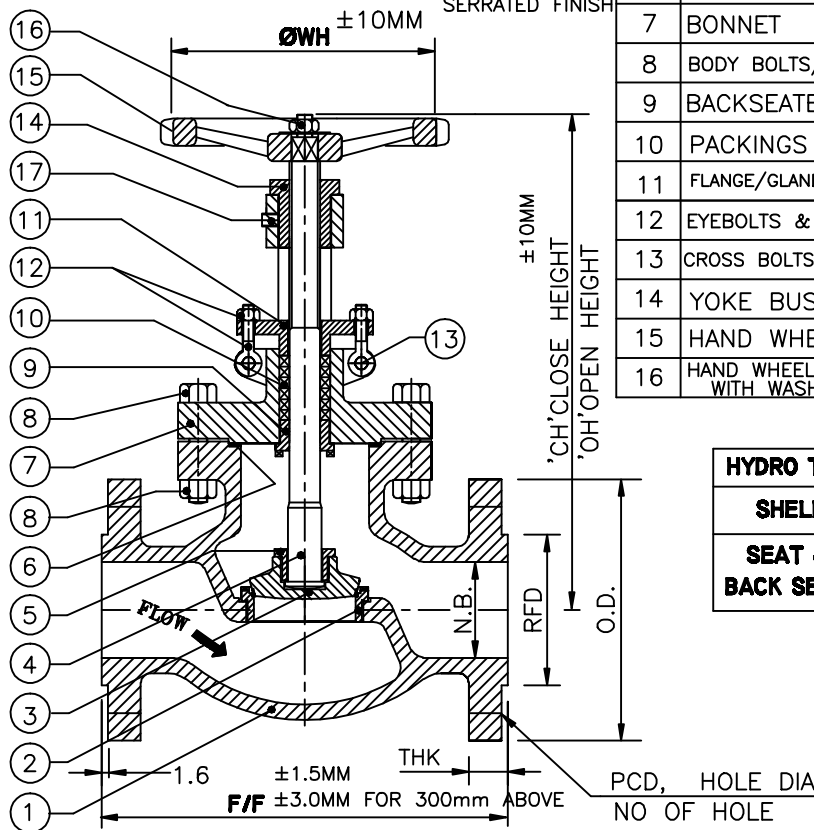
DESIGN & MFRG. STD.:- AS PER BS-1873

INSPECTION & TESTING:- AS PER B.S. 5146/BS-6755 Pt1

FACE TO FACE:- AS PER ANSI B16.10

END CONNECTION:- FLANGED AS PER ANSI B-16.5RF. SERRATED FINISH

SR. NO	DESCRIPTION	MATERIAL	QTY.
1	BODY	ASTM A216 GR.WCB.	1
2	SEAT RING	SS410	1
3	DISC	SS410	1
4	SPINDLE	SS410	1
5	DISC NUT	SS410	1
6	BODY GASKET	SW-SS304 + GRAPHITE FILLER	1
7	BONNET	ASTM A216 GR.WCB.	1
8	BODY BOLTS/NUTS	HTS	12
9	BACKSEAT BUSH	SS410	1
10	PACKINGS	GRAFOIL RINGS	6
11	FLANGE/GLAND BUSH	STEEL/SS410	1+1
12	EYEBOLTS & NUTS	STEEL	2+2
13	CROSS BOLTS & NUTS	STEEL	2+2
14	YOKE BUSH	EN-1A	1
15	HAND WHEEL	C.I.	1
16	HAND WHEEL NUT WITH WASHER	STEEL	1+1



HYDRO TEST PRESSURE	
SHELL	32 BAR
SEAT & BACK SEAT	25 BAR

ITEM CODE:-

SIZE	N.B.	F/F	CH	OH	ØWH	O.D.	THK	RFD	PCD	HOLE DIA	NO OF HOLE	QTY.
15	13	108	205	205	90	89.0	9.5	35.0	60.5	16.0	4	
20	19	117	205	205	90	98.5	10.5	43.0	70.0	16.0	4	
25	25	127	230	225	140	108.0	11.0	51.0	79.5	16.0	4	
40	38	165	255	265	160	127.0	14.5	73.0	98.5	16.0	4	
50	51	203	255	277	190	152.5	16.0	92.0	120.5	19.0	4	
65	63	216	290	315	205	178.0	17.5	105.0	140.0	19.0	4	
80	76	241	365	340	240	190.5	19.0	127.0	152.5	19.0	4	
100	102	292	385	423	300	228.5	24.0	157.0	190.5	19.0	8	
150	152	406	465	518	350	279.5	25.5	216.0	241.5	22.2	8	
200	203	495	485	553	450	343.0	28.5	270.0	298.5	22.2	8	
250	254	622	620	703	500	406.5	30.0	324.0	362.0	25.4	12	
300	305	698	740	838	600	482.5	32.0	381.0	432.0	25.4	12	
400	387	915	1000	1115	600	597.0	36.5	470.0	540.0	28.5	16	

DATA SHEET NO:-

DATE:-

DRN MAZHAR 30/11/07

CUSTOMER :-

CHD ARNAV 30/11/07

PO NO :-

APPD

OCEAN VALVES MFG. CO.

PLOT- 3717, PHASE-IV, GIDC, VATVA, AHMEDABAD, GUJARAT.

DRAWING NO

OV/GBV/150/15-400

SHEET OF